

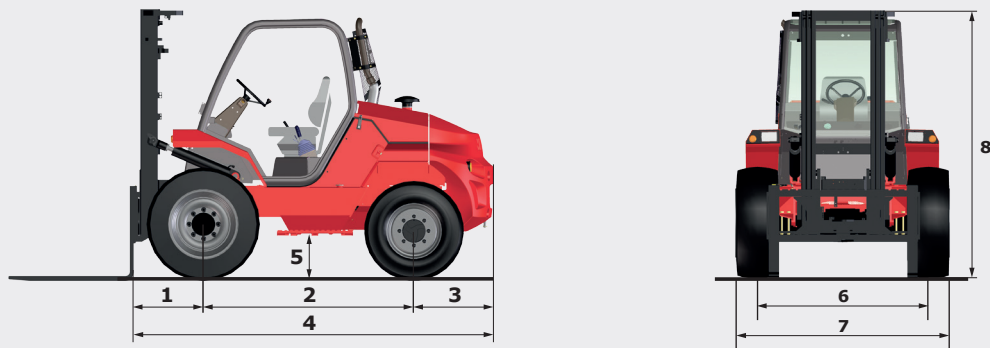
M26/M30/M40/M50

TECHNICAL DATA SHEET



M30-2 M30-4

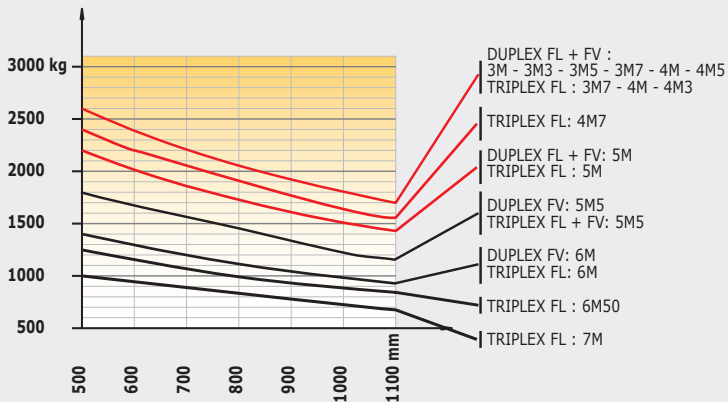
	M30-2 / M30-2H	M30-4
Lifting		
Max. capacity	3 000 kg at 500 mm CDG	
Lifting height (standard mast)	3.70 m	
Max. lifting height	7.00 m	
Unladen time		
Lifting	0.5 m/s	
Lowering	0.5 m/s	
Tyres		
Forward	14.5 R20 18PR MPT80 TL	400/70-20 150B T37 STAB TL
Backward	10R 17.5 134/132 M G291	10.5/80-18 10PR TG42 TL
Braking		
Service brake	Oil immersed multi-disc braking on front/rear axles	
Parking brake	Oil immersed multi-disc mechanics on the front axle	
Engine		
Type	PERKINS - STAGE 3B	
Cubic capacity	PERKINS 854F-E34T 54009.1.1	
Power	3400 cm ³	
Max. torque	75 cv / 55.5 kW	
Injection	318 Nm at 1400 tr/min	
Cooling	Direct	
Laden drawbar pull	4 670 daN	6290 daN
Transmission		
Gearbox	Torque converter Mechanical	Hydrostatic Torque converter Mechanical
Reversing shift	Electro-hydraulic	Electro-magnetic Electro-hydraulic
Number of gears (forward/reverse)	4/4	4/4
Max. travel speed (may vary according to applicable regulations)	22.1 km/h	21.6 km/h
Front axle differential lock	yes	no
Control for 2/4 wheel drive	no	yes
Controls		
Hydro-proportional levers for all movements		
Hydraulics		
Pump	Gear pump 97 l/min - 245 bar	
Capacities		
Hydraulic oil	80 l	
Fuel	85 l	
Unladen weight (with standard mast forks)	5 290 kg	5 485 kg
Dimensions		
1. Front wheel centre to carriage	0.75 m	
2. Wheelbase	1.99 m	
3. Rear wheel centre to rear face	0.76 m	
4. Overall length to carriage	3.49 m	
5. Ground clearance	0.37 m	0.38 m
6. Inside tyre width	1.55 m	1.52 m
7. Overall width	1.90 m	1.92 m
8. Overall height	2.72 m	
Standard forks (length x width x thickness)	1200 x 125 x 40 mm	
Turning radius	3.49 m	4.27 m
Tilt standard mast (forward/backward)	6° / 12°	
Noise and vibration		
Noise at driving position (LpA)	76 dB	
Environmental noise (LwA)	104 dB	
Vibration to whole hand/arm	<2.5 m/s ²	
Vibration on driver's body	0.97 m/s ²	



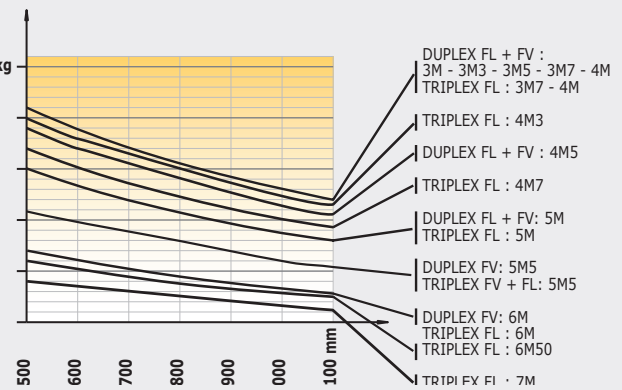
Load charts

M 26

Without sideshift

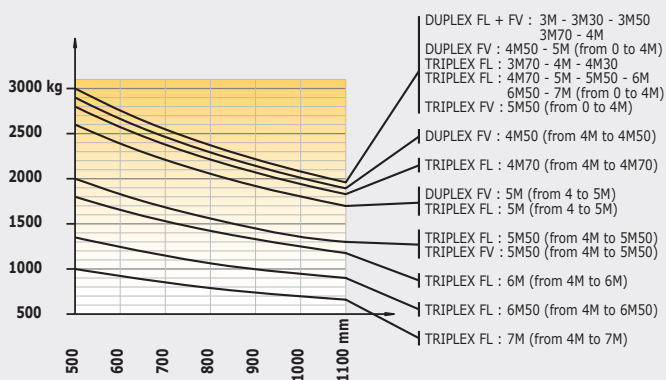


With sideshift

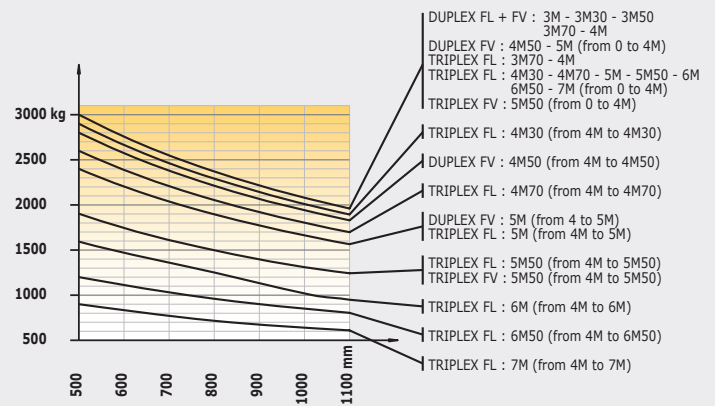


M 30

Without sideshift



With sideshift



FV = Full Visibility
FL = Free Lift

This brochure describes versions and configuration options for Manitou products which may be fitted with different equipment. The equipment described in this brochure may be standard, optional or not available depending on version. Manitou reserves the right to change the specifications shown and described at any time and without prior warning. The manufacturer is not liable for the specifications given. For more information, contact your Manitou dealer. Non-contractual document. Product descriptions may differ from actual products. List of specifications is not comprehensive. The logos and visual identity of the company are the property of Manitou and may not be used without authorisation. All rights reserved. The photos and diagrams contained in this brochure are provided for information only.

MANITOU BF SA - Limited company with board of directors - Share capital: 39,547,824 euros - 857 802 508 RCS Nantes



Your nearest **MANITOU** dealer:



Head office:
B.P. 249 - 430 rue de l'Aubinière - 44158 Ancenis Cedex - France
Tél.: 00 33 (0)2 40 09 10 11 - Fax: 00 33 (0)2 40 83 36 88
www.manitou.com