

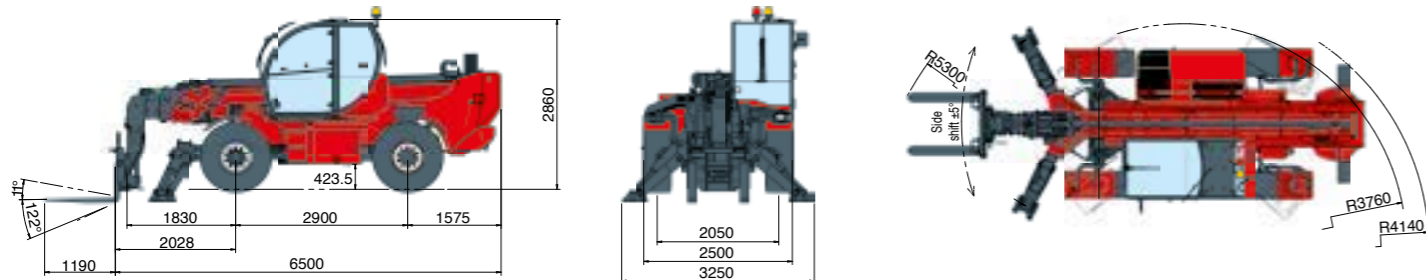
<b>MACHINE MODEL</b>	Telescopic handler	TH 6.20	
	Maximum lifting capacity	6.000 kg (center of gravity 600 mm)	
	Maximum lifting height	19,2 m	
<b>ENGINE - DEUTZ</b>	Type	Deutz TCD 3.6 L4 - stage IV	Deutz TCD 3.6 L4 EDG - stage 3A compliant
	Rated power	100 kW - 134 HP at 2.200 rpm	100 kW - 134 HP at 2.200 rpm
	Maximum torque	500 Nm at 1.600 rpm	500 Nm at 1.600 rpm
	Displacement	3,6 l	3,6 l
	Cylinders	4 in line	4 in line
	Fuel	Diesel direct injection turbocharged	Diesel direct injection turbocharged
	Cooling system	Water – intercooler	Water – intercooler
<b>TRANSMISSION</b>	Type	Hydrostatic	
	Model	Bosch – Rexroth	
	Maximum pressure	500 bar	
	Displacements	Variable displacement pump electronically controlled. Variable displacement motor	
	Gear box	2 speeds forward-reverse	
<b>AXLES AND BRAKES</b>	Type	Axles with epicyclic reduction gear	
	Rear axle	Oscillating and steering with hydraulic locking	
	Front axle	Steering - tilting - shifting	
	Service brake	Hydraulically activated, oil-immersed multi-disc type on each axle	
	Parking brake	Hydraulic with negative action	
	Tyres dimensions	445/65 R22,5	
<b>PERFORMANCE</b>	Max. travel speed	40 km/h	
	Drawbar pull	66 kN	
	Gradeability	44%	
	Turning radius (end of forks)	5.300 mm	
	<b>WEIGHTS</b>	Total unladen	14.500 kg
Front axle unladen (boom retracted and lowered)		6.000 kg	
Rear axle unladen (boom retracted and lowered)		8.500 kg	
<b>TANKS CAPACITIES</b>		Deutz stage IV	Deutz stage3A
	Fuel tank	150 l	150 l
	AdBlue	10 l	n.a.
	Hydraulic oil tank	170 l	170 l
	Engine oil tank	9 l	9 l
	Cooling liquid	23 l	23 l
<b>HYDRAULIC CIRCUIT</b>	Max. operating system pressure	350 bar	
	Circuit type	Load sensing	
	Service pump	Bosch Rexroth – Variable displacement	
	Controls for boom and turret movements	Danfoss – Electroproportional valve SIL 2	
	Controls for stabilizers	Bosch Rexroth – Electro-hydraulics controls	
	Movements control	2 joystick Danfoss with two shafts with dead man safety device - Management with CAN bus technology	
<b>CONFORMITY TO STANDARDS</b>	EN 13849: concerning the safety of all controls of the machine EN 1459: concerning rough terrain telescopic handlers EN 13000: concerning the standard of hydraulic cranes EN 280: concerning the standard of aerial platforms FOPS/ROPS 97/68/CE: concerning engine emissions standards		

Gruppo Industriale FG - 17C0252

The data in this brochure are informative and subject to change without notice



Maximum lifting height: 19,2 m  
 Maximum reach: 14,6 m  
 Electronically controlled hydrostatic transmission  
 Automatic levelling device  
 Pivoting stabilizers



REV01

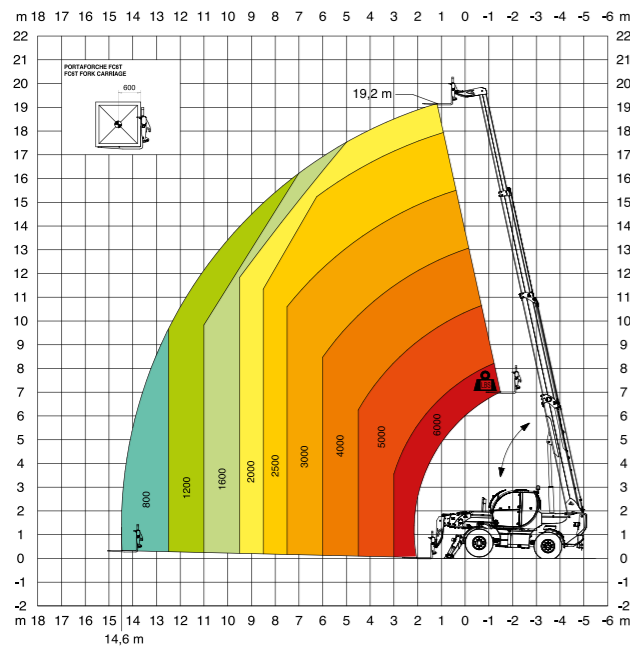
TH6.20

Magni Telescopic Handlers srl

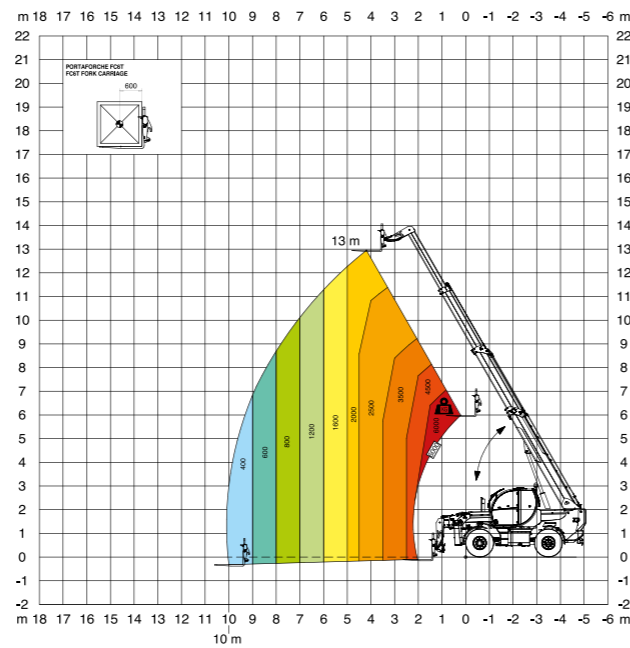
Via Magellano, 22 - 41013 Castelfranco Emilia, Modena, Italia - Tel: +39 059 8630811 - Fax: +39 059 8638012

commerciale@magnith.com - www.magnith.com

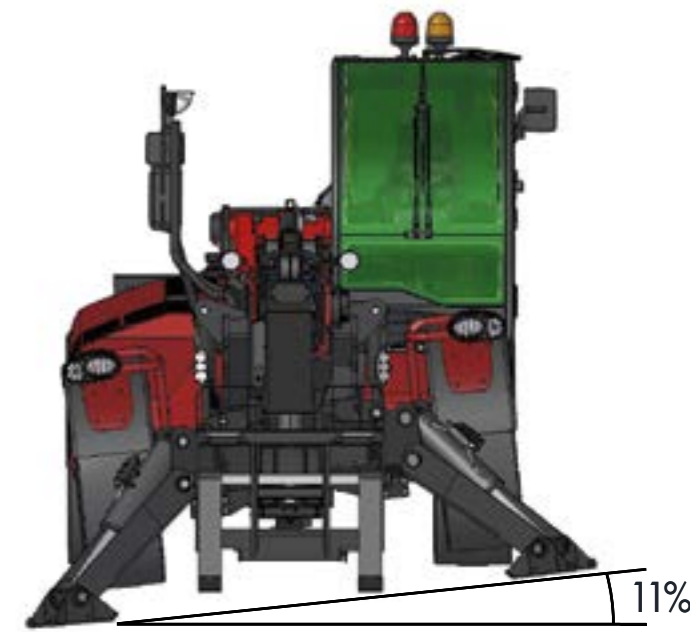
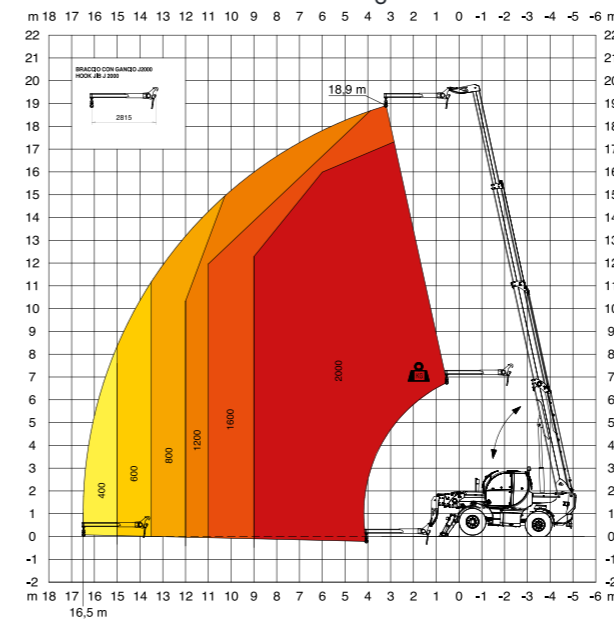
Load chart on stabilizers



Load chart on tyres



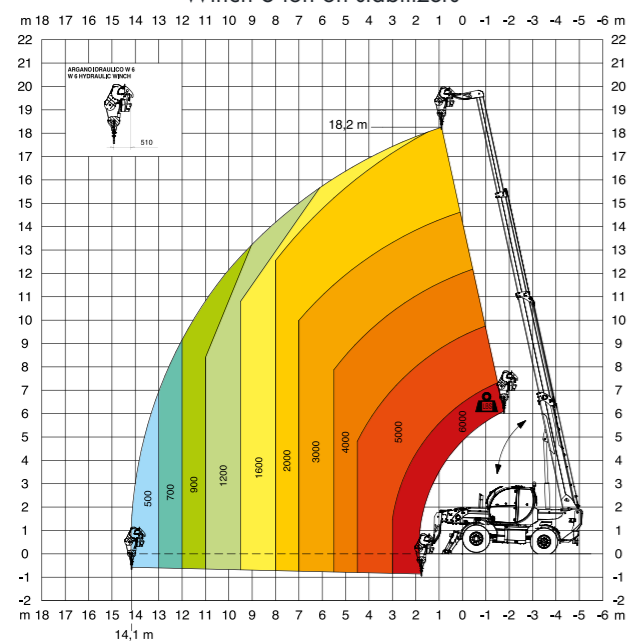
**J 2000**  
Jib 2.000 kg



Leveling works both on wheels and on stabilizers as the front axle is coupled with the stabilizers

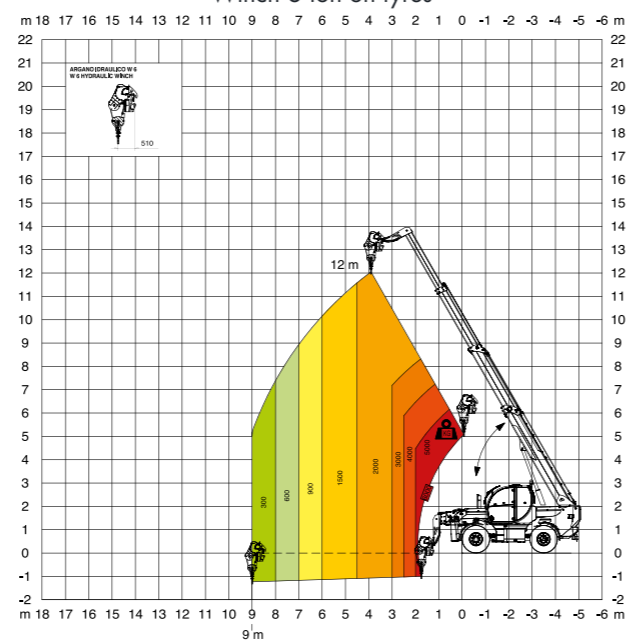
**W 6**

Winch 6 ton on stabilizers



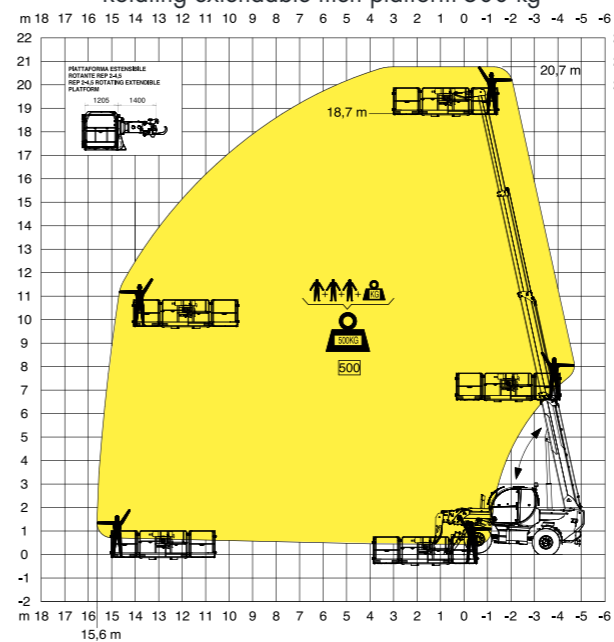
**W 6**

Winch 6 ton on tyres



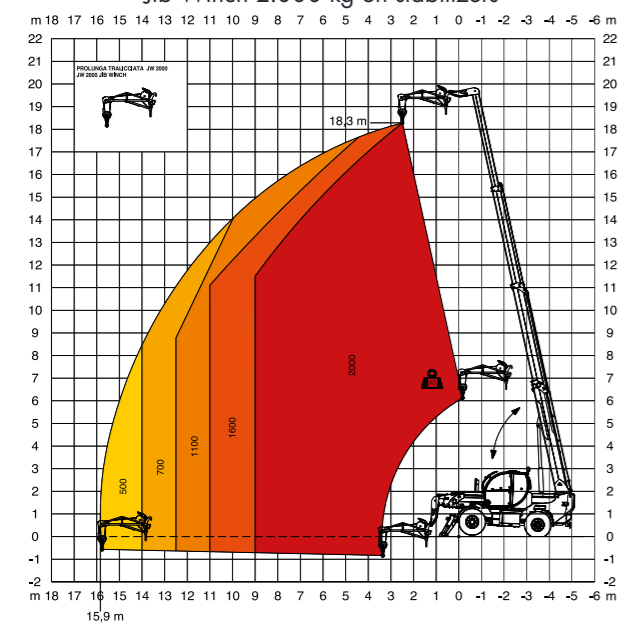
**REP 2-4,5**

Rotating extendable men platform 500 kg



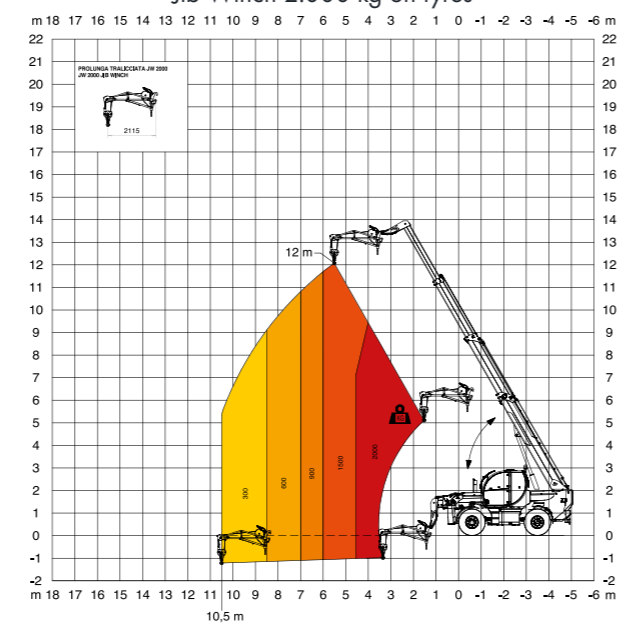
**JW 2000**

Jib Winch 2.000 kg on stabilizers



**JW 2000**

Jib Winch 2.000 kg on tyres



This telehandler is equipped with a lateral shifting system that permits to move sideways the rear part of the chassis and, with it, the telescopic boom relative to the longitudinal axis of the machine to correct the load position without the need to move the machine. This system, in fact, allow a shifting of +/- 5° that corresponds to a shift of +/- 1,5 m with the boom completely extended, independently from which attachment is equipped.