



DT08

Track Dumpers



The rental fleet pro: DT08.

Wacker Neuson's track dumper DT08 can be maneuvered on any surface with centimeter-accuracy, thanks to its compact dimensions and precision control. Its 800 kg payload and width of only 79 cm make the DT08 the ideal addition to any rental fleet.

- The hydrostatic drive enables easy and comfortable operation; powerful engines (gasoline or diesel).
- Robust crawler design guarantees long service life with low wear and tear.
- Optimal ratio between low net weight and maximum payload.
- Compact dimensions (79 cm), ideal for working in confined spaces and making its way through standard doors; high ground clearance.
- The rubber track and the optimum weight distribution reduce the ground pressure and prevent damage to delicate surfaces. The tailor-made cooling system guarantees safe operation of the machine in high-temperature conditions.



Technical specifications

Operating data

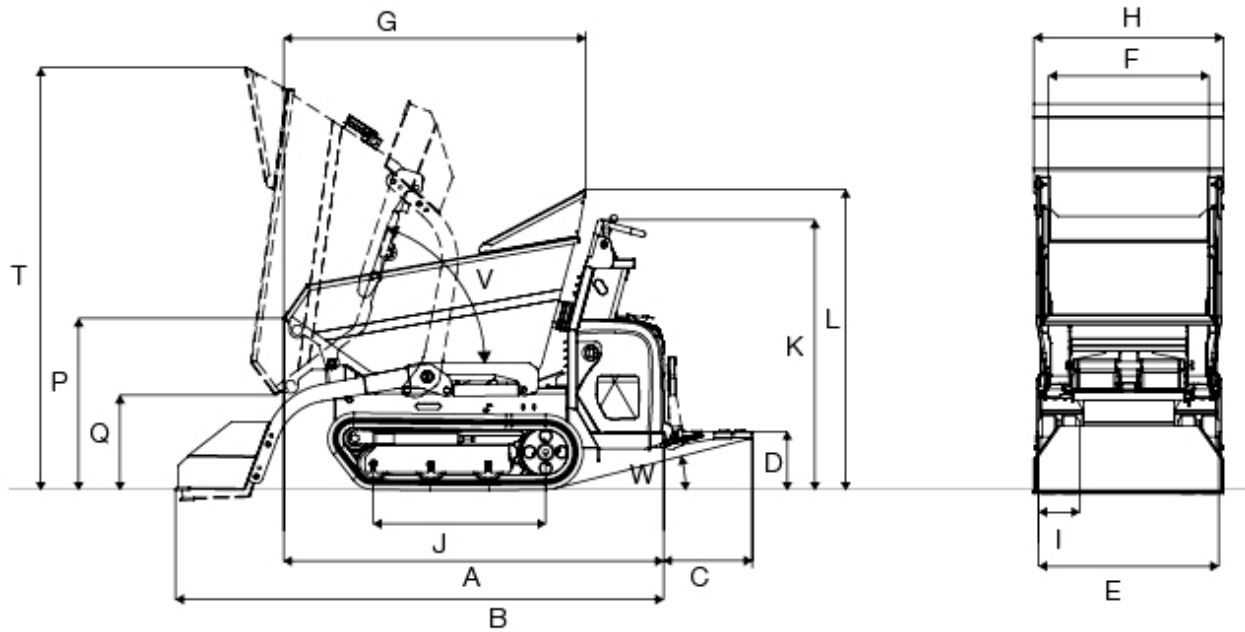
| | |
|--------------------------|------------------------|
| Shipping weight Gasoline | 460 kg |
| Shipping weight Diesel | 510 kg |
| Payload max. | 800 kg |
| Skip capacity level | 334 l |
| Skip capacity heaped* | 387 l |
| L x W x H * | 1,660 x 790 x 1,203 mm |

Engine / Motor

| | |
|-----------------------------|-----------|
| Engine performance Gasoline | 6,8 kW |
| Engine performance Diesel | 7,4 kW |
| at rpm | 3.600 rpm |
| Travel speed max. | 4,2 km/h |
| Gradeability | 30 % |

* Model with front-tipping skip

Dimensions



| | | |
|---|--|----------|
| A | Length (without running board) | 1.660 mm |
| B | Length with self-loading equipment (without running board) | 2.132 mm |
| C | Length of running board | 388 mm |
| D | Height over running board | 235 mm |
| E | Width Undercarriage | 790 mm |
| F | Skip width | 700 mm |
| G | Skip length | 1.320 mm |
| H | Width with self-loading equipment | 830 mm |
| I | Chain width Track | 180 mm |
| J | Length Track | 753 mm |
| K | Height over control console | 1.240 mm |
| L | Height over skip hand protector | 1.313 mm |
| P | Height of skip front edge | 750 mm |



| | | |
|---|---|----------|
| Q | Dumping height | 420 mm |
| T | Height Max., skip raised | 1.845 mm |
| V | Tip-out angle Skip dumping | 72 ° |
| W | Reverse roll angle Running board retraction | 14 ° |

Please note

that product availability can vary from country to country. It is possible that information / products may not be available in your country. More detailed information on engine power can be found in the operator's manual; the stated power may vary due to specific operating conditions.

Subject to alterations and errors excepted. Applicable also to illustrations.

Copyright © 2015 Wacker Neuson SE.