

**PALFINGER**

LIFETIME EXCELLENCE

**P 250 BK**  
**LIGHT KLASSE NX**



# P 250 BK

## TECHNICAL SPECIFICATIONS

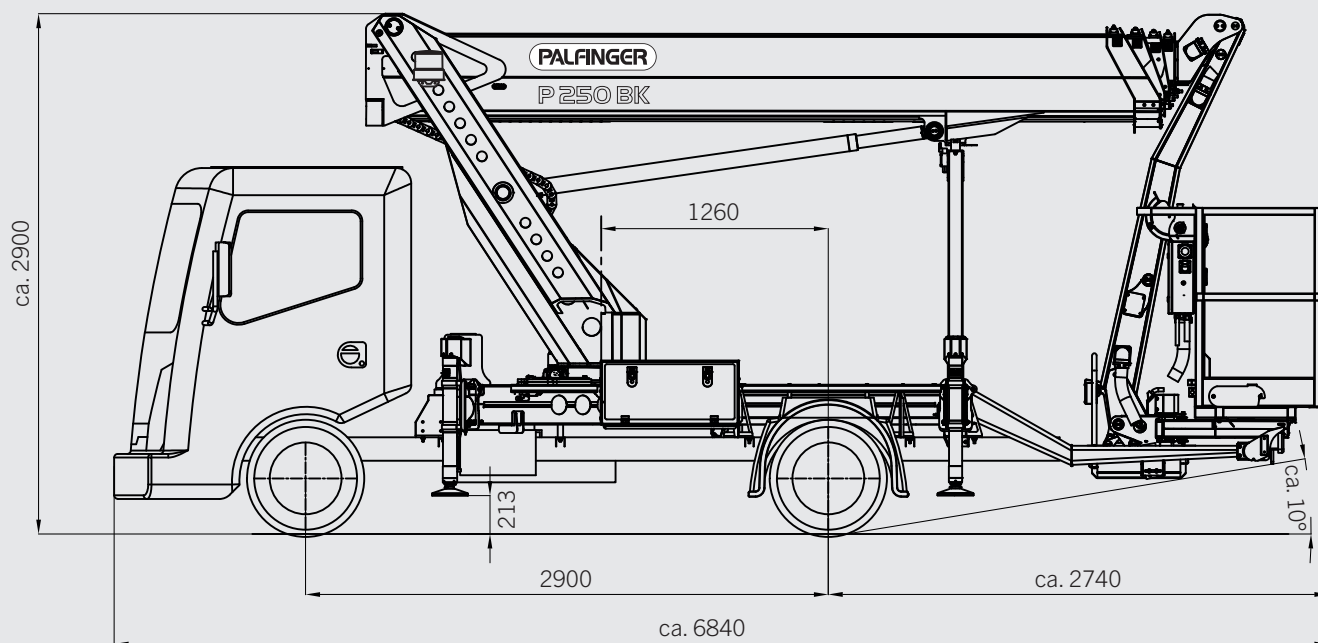
Max. working height	24,70 m
Max. cage bottom height	22,70 m
Max. outreach*	16,9 m
Rotation angle of turntable	500°
Rotation angle of cage	2 x 90°
Rotation angle of cage boom	185 °
Max. cage load	230 kg
Size of cage	1,40 x 0,70 x 1,10 m
Max. inclination of platform	5°
Height in transportposition	2,90 m
Width in transportposition	2,22 m
Overall length	6,84 m
Wheelbase	2900
Total weight	3350*

\* Depends on truck chassis (without driver)

## STANDARD EQUIPMENT

Home function
Automated positioning system
Safety plates
230V CEE current supply with CEE socket in the workman basket
Stabilizer control at basis

## DIMENSIONS



Units shown in the leaflet are partially optional equipped and do not always correspond to the standard version. Country-specific regulations must be observed. Dimensions may vary. Subject to technical changes, errors and translation mistakes.